

STEP FEEDER WITH VIBROLINER® SF 2



Sectors:

Automotive industry, electrical,
pharmaceutical, metal processing and
plastics processing industries.



The SMALLEST STEP FEEDER of the IFSYS product family, specifically designed for high demands in the industrial environment.



SF 2

Gentle feeding of components, no contamination or abrasion.



100%

Compact, space-saving construction as well as low maintenance and low wear.





SF 2: A big machine in a small package



The small SF 2 is the perfect alternative to your existing feeding system like a bowl feeder or similar. With all known advantages of a Step Feeder.

The compact form of our space-saving miracle convinces in the gentle supply of very thin parts within the smallest footprint. The SF 2 can easily be integrated in your assembly machine.

Outstanding and precision feeding of your parts. So you can feed parts faster and easier and achieve optimal efficiency. The little brother among the Step Feeders sets new standards with its proven and robust technology.

Powerful construction

The SF 2 Step Feeder adapts to your individual requirements with ease. E.g. it can be adjusted in height or a drawer could be added to catch manufacturing byproducts.

But that's not all:

- systems designed for repeatable manufacturing (3D drawings)
- A lower transmission of vibration transferred into assembly machine than other feeding systems
- feeding system can be run empty
- Independent set up of vibration/speed, no matter how many parts are in hopper.
- fast emptying is possible
- rapid conversion of exchangeable orientation tracks
- dirt discharge possible

Compact, lightweight & quiet as a mouse

Furthermore it has a low noise level, which ensures a pleasant working environment for your employees.



Sort them:

Metals, plastics, glass, ceramics, wood and electronic products for example.



Highest reliability

Even in tough continuous operation, the Step Feeder SF 2 ensures the reliable sorting - even of complicated parts.

Contact us at:

+1.864.472.2222

sales@ifsys.us



Information



List of suitable sorting parts



Complete overview of technical data



Useful extensions

Appropriate sorting parts

Screws:	from M1 to M5 with a length to 20 mm max.
Nuts:	to M8
Washers:	to Ø 15 mm with a thickness from 0.5 mm to 6 mm
Pins:	from Ø 0.8 mm to Ø 6 mm with a length to 20 mm maximum
Sleeves:	up to Ø 15 mm with a length to 15 mm maximum
Formed parts:	to a length of 20 mm, width 15 mm, height 15 mm

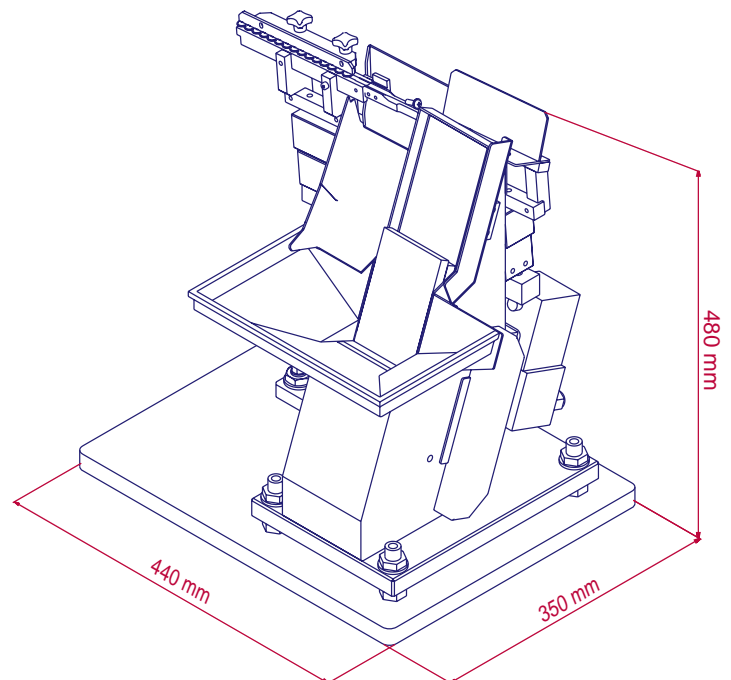
Technical data

Device type:	SF 2 E or SF 2 P-2-80*
Pneumatic drive:	3.5 bar
Electrical drive:	24 V/DC
VIBROLINER drive:	115/230 V; 50/60 Hz
Weight:	25 kg
Filling weight:	max. 8 kg
Filling volume	1 liter with standard hopper
Additional filling volume:	Expandable with 5 liters, 10 liters and 20 liters IFSYS-Conveyor systems.

* E = with electrical drive · P = with pneumatic drive · 2 = 2 steps.
80 = width of step 80 mm, open on both sides

Useful extensions

IFSYS Supply and singulation systems
IFSYS handling and robot systems
IFSYS test and identification systems
IFSYS blow feeding systems
IFSYS safety and sound prove enclosure systems



IFSYS North America, Inc.
Integrated Feeding Systems
2240 HWY 292
Inman, SC 29349, USA

☎ +1.864.472.2222
☎ +1.864.472.2232
✉ contact@ifsys.us
🌐 www.ifsys.us

IFSYS
Integrated Feeding Systems